

# CM6T

## 6.5" two-way loudspeaker



Apart CM6T is a two-way low impedance or 100 volt loudspeaker suitable for the distribution of microphone calls and background music. In 16 ohms use, you can connect up to 4 loudspeakers in parallel on each channel of a standard 4 ohms amplifier.

For 100 volt use, the CM6T is equipped with a high-quality 6 watt 100 volt transformer with several power tapings (6 - 3 - 1.5 watts).

CM6T is easy to install, due to its simple quick mounting system with only 3 screws.

This loudspeaker is now updated with a new Quick Fix connector and transformer tapping sticker for an even faster and easier installation.

Versatile for almost every market around the globe due to the addition of the 70 / 100 volt connection, the CM series is bound to stay the standard installer's choice in the fixed install market.

The complete redesign of the CM Series is done according to the corporate Apart identity. Apart blue speaker clamps and product sticker, an Apart marked transformer and loudspeaker basket.

The housing is made of high quality ABS. The 6 ½" woofer is made of special enforced polypropylene what results in a very low distortion. To complete the sound, a quality 1" tweeter has been integrated. The grille is made of aluminium what makes CM6T humidity proof and suited for bathrooms, kitchens...

The CM6T loudspeakers can be painted in any colour.

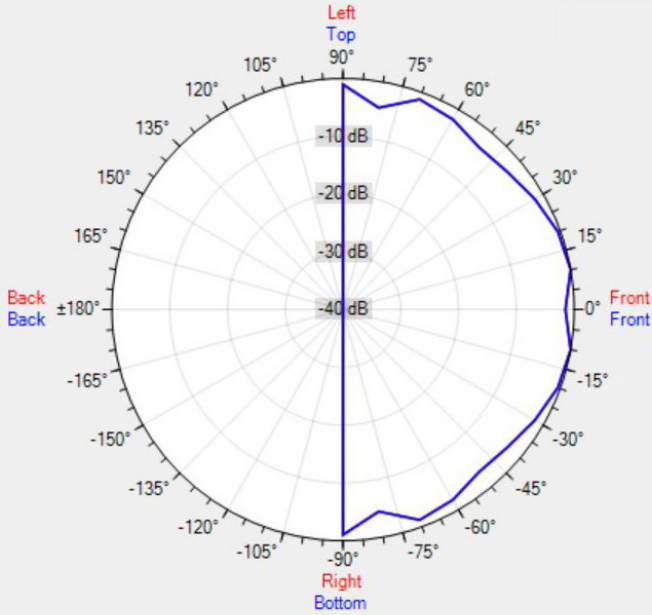
### TECHNICAL SPECIFICATIONS

outside diameter in mm	205	depth in mm	75
cutout in mm	186	installation grip range in mm	2 - 25
loudspeaker system	2-way	woofer size in inch	6.5
woofer cone material	polypropylene	tweeter size in inch	1 inch
mounting system	3 screws	colour	white
100V transformer power taps in watts	6 - 3 - 1.5	70V transformer power taps in watts	6 - 3 - 1.5 - 0.75
impedance in ohms	16	low impedance dynamic power in watts	60
low impedance RMS power in watts	30	SPL 1W/1m in dB	87
max SPL 1m in dB	105	frequency response in Hz	60 - 20K
main construction material	ABS plastic	grille main material	aluminium
IP rating		applicable low impedance	yes
applicable in 100V	yes	Vertical dispersion angle 1000 Hz	180°
closest RAL colour (subject to deviations)	RAL9010 (W) / RAL9011 (BL)	Net weight product in kg	1.40

## POLAR PLOTS

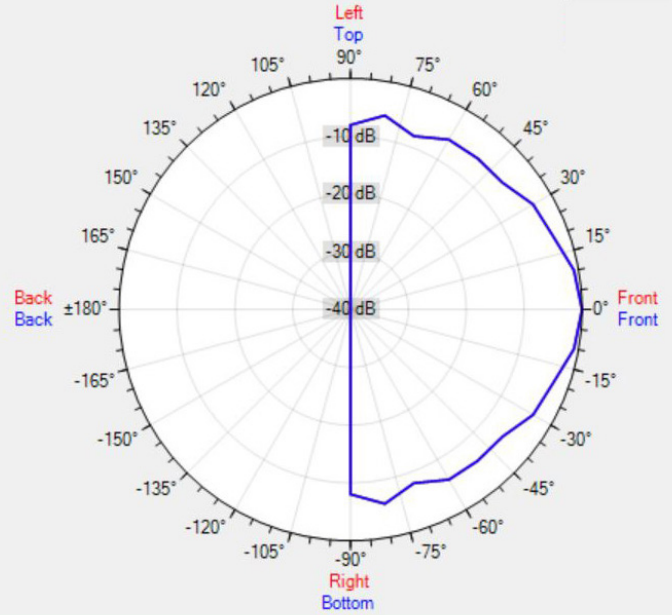
Data Shown: CM6T (Apart Audio)  
 Display Parameters: Frequency: 1000Hz (1/24th Octave)

Horizontal  
 Vertical



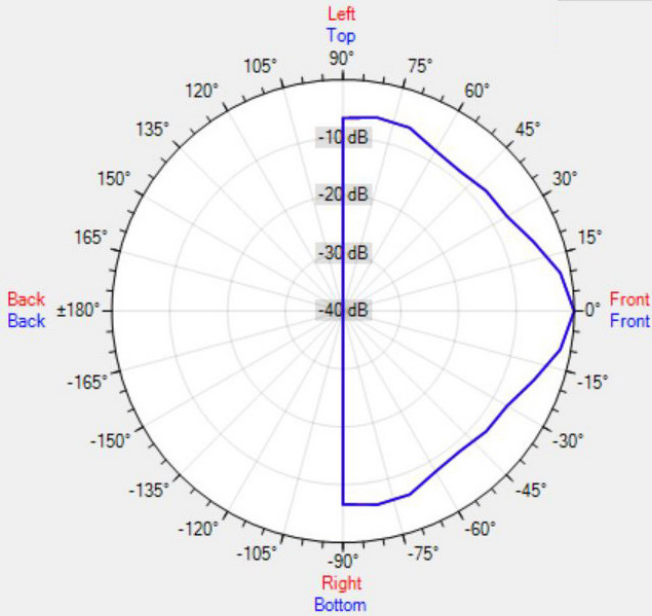
Data Shown: CM6T (Apart Audio)  
 Display Parameters: Frequency: 2000Hz (1/24th Octave)

Horizontal  
 Vertical



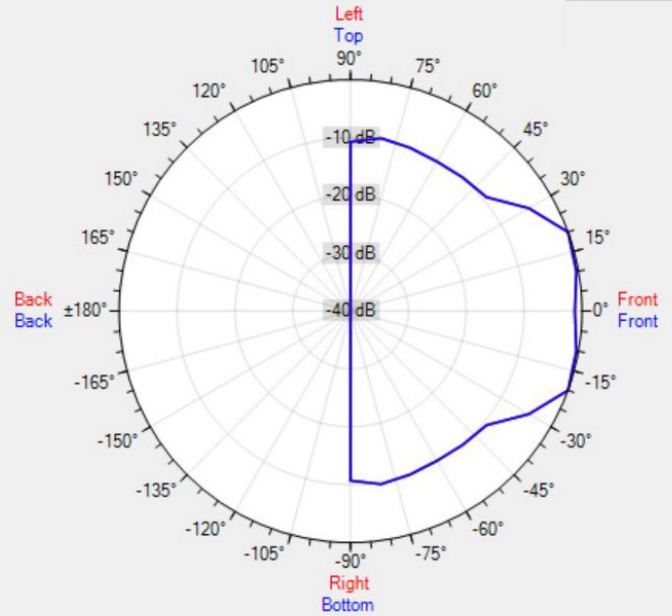
Data Shown: CM6T (Apart Audio)  
 Display Parameters: Frequency: 4000Hz (1/24th Octave)

Horizontal  
 Vertical

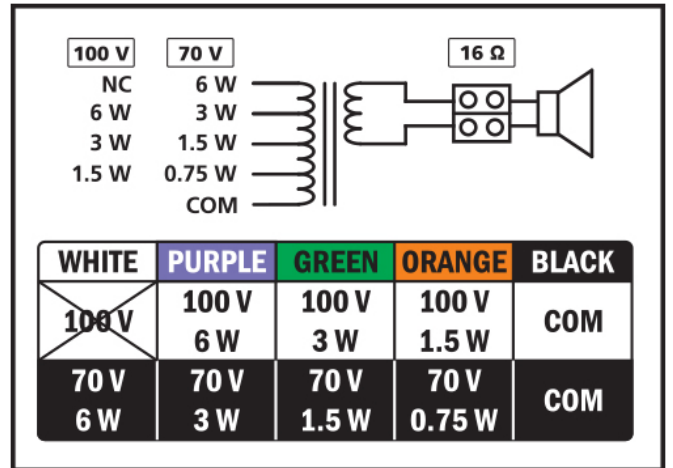


Data Shown: CM6T (Apart Audio)  
 Display Parameters: Frequency: 8000Hz (1/24th Octave)

Horizontal  
 Vertical



MORE PICTURES



## ACCESSORIES



### **CMBB**

On-wall box for CM- and CM-Design loudspeaker range